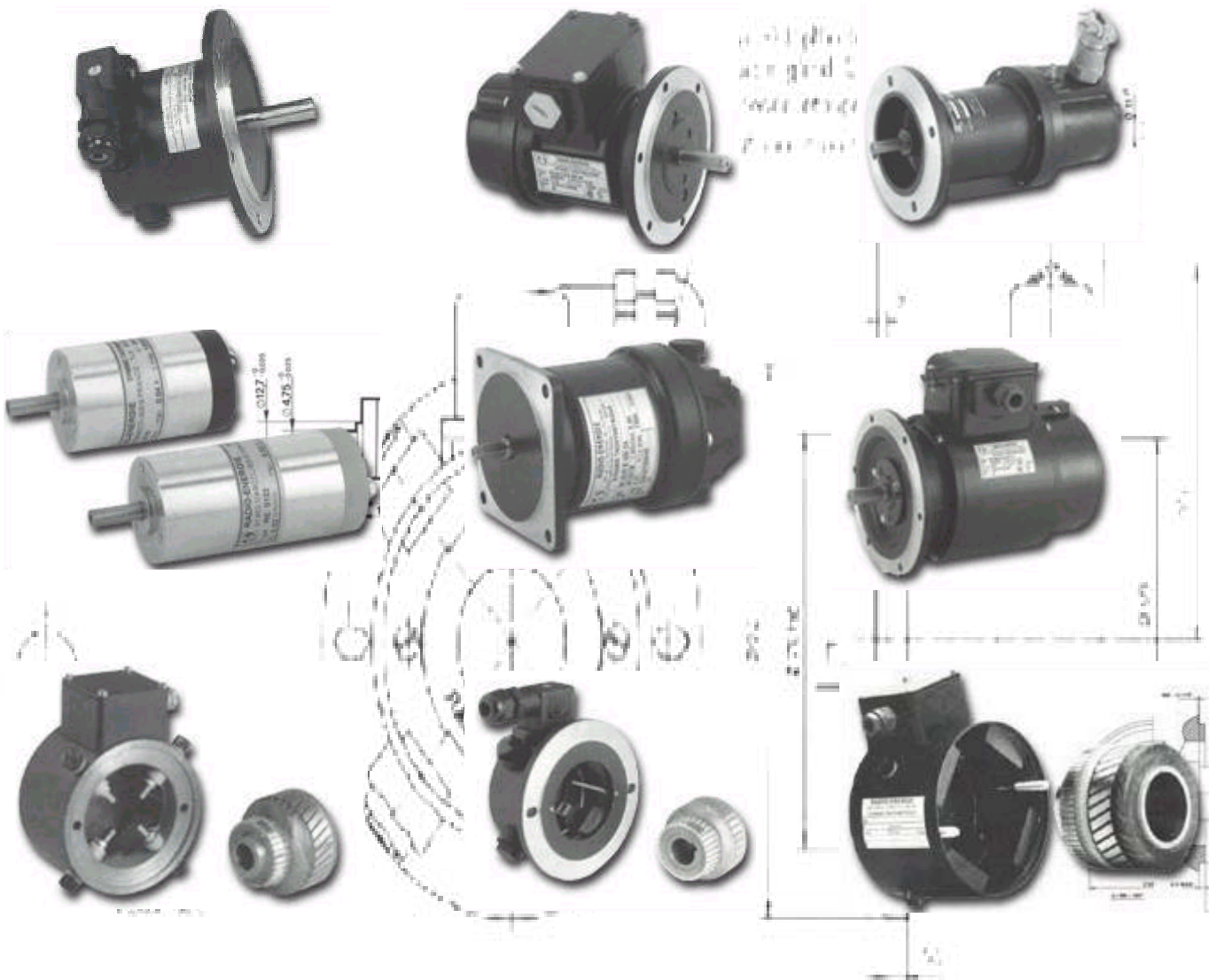


# RADIO ENERGIE TACHOGRNERATORS SPECIFICATION



"The responsive people in drives, power & controls"

- AC/DC Drives
- AC/DC Motors
- Soft Starters
- Drives System Panels
- Electrical & Control Panels

**XCEL Drives** Co.Ltd. 110/38 Ratanathibet Rd., Sai-ma, Muang, Nonthaburi 11000

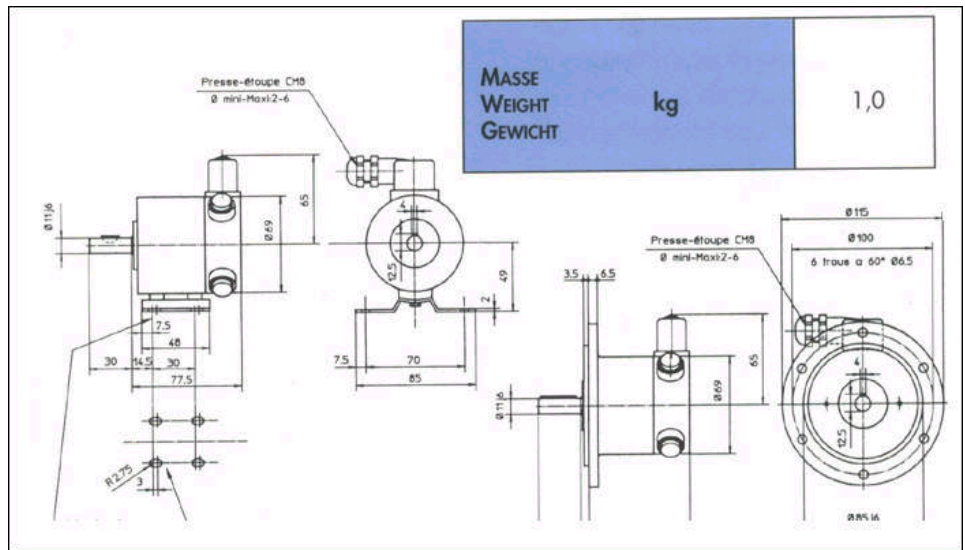
บริษัท เอ็กเซลไดรฟ์ จำกัด Tel. +66 0 29221915-8 Fax. +66 0 29221914 E-mail: salesxcd@cscoms.com

## :: Tachogenerators

A selection of our most popular Radio Energie tachogenerators:

Radio Energie RE.0444 L Tachogenerator ::

- DC Tachogenerator.
- Small size.
- Connector.
- One commutator version.



### Electrical Options

				Standard
E.M.F at 1000rpm	En	V	1 coll.	60
Voltage gradient	Cv	V/tr/min	1 coll.	0,06
		V/rpm		
		V/U/min		
Armature resistance	Ra	impedance	1 coll.	160
Max. thermal load	lth	A	1 coll.	0,1
Max. allowed speed	na	tr/min	1 coll.	5000
		rpm		
		U/min		

"The responsive people in drives, power & controls"

● AC/DC Drives ● AC/DC Motors ● Soft Starters ● Drives System Panels ● Electrical & Control Panels

**XCEL Drives** Co.Ltd. 110/38 Ratanathibet Rd., Sai-ma, Muang, Nonthaburi 11000

บริษัท เอ็กเซลไดรฟ์ จำกัด Tel. +66 0 29221915-8 Fax. +66 0 29221914 E-mail: salesxcd@cscoms.com

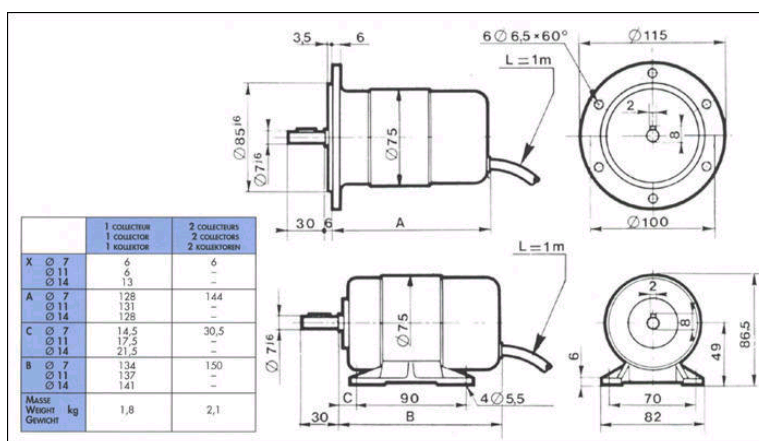
## :: Tachogenerators

A selection of our most popular Radio Energie tachogenerators:



### Radio Energie RE.0444 N Tachogenerator ::

- The most common DC Tachogenerator.
- Permanent-magnet excitation.
- Brush-holders under cover.
- Cable connection.
- Low ripple.
- Available with one or two commutators



### Electrical Options

			Min.											Max.
E.M.F at 1000rpm	En	V	1 coll.	6	20	30	40	50	60	80	100	120	150	200
			2 coll.	2 x 20	2 x 30	2 x 50	2 x 60	2 x 100						
Voltage gradient	Cv	V/tr/min V/rpm V/U/min	1 coll.	0,006	0,020	0,030	0,040	0,050	0,060	0,080	0,100	0,120	0,150	0,200
			2 coll.	2 x	2 x	2 x	2 x	2 x						
			2,02	0,03	0,05	0,06	0,1							
Armature Resistance	Ra	impedance	1 coll.	1,50	12	28	45	70	100	180	280	400	640	900
			2 coll.	2 x 24	2 x 55	2 x 150	2 x 200	2 x 470						
Max. thermal Load	Ith	A	1 coll.	1,40	0,55	0,35	0,25	0,22	0,18	0,14	0,11	0,09	0,07	0,07
			2 coll.	2 x 0,23	2 x 0,14	2 x 0,09	2 x 0,09	2 x 0,05						
Max. allowed Speed	Na	tr/min	1 coll.	12000	12000	12000	12000	12000	10000	7500	6000	5000	4000	3000
		rpm	2 coll.	12000	12000	12000	12000	10000	6000					
		U/min												

"The responsive people in drives, power & controls"

● AC/DC Drives ● AC/DC Motors ● Soft Starters ● Drives System Panels ● Electrical & Control Panels

**XCEL Drives** Co.Ltd. 110/38 Ratanathibet Rd., Sai-ma, Muang, Nonthaburi 11000

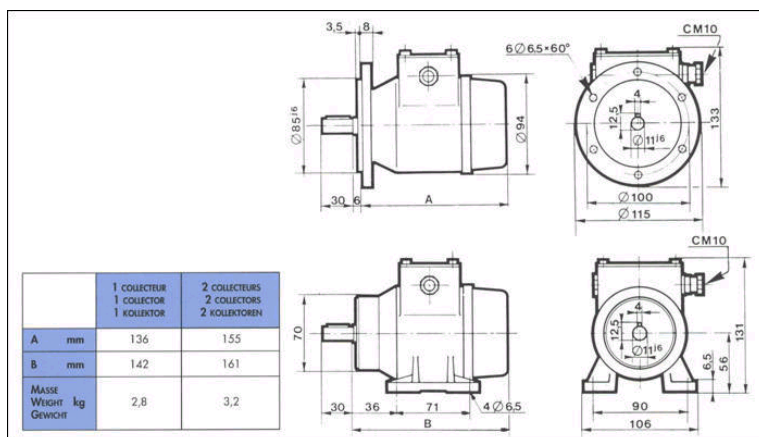
บริษัท เอ็กเซลไดรฟ์ จำกัด Tel. +66 0 29221915-8 Fax. +66 0 29221914 E-mail: salesxcd@cscoms.com

## :: Tachogenerators

A selection of our most popular Radio Energie tachogenerators:

Radio Energie RE.0444 R Tachogenerator ::

- DC Tachogenerator derived from RE.0444 N model.
- Rugged model.
- Terminal box.
- Available with one or two commutators.



### Electrical Options

			Min.											Max.
E.M.F at 1000rpm	En	V	1 coll.	6	20	30	40	50	60	80	100	120	150	200
			2 coll.		2 x 20	2 x 30		2 x 50	2 x 60		2 x 100			
Voltage gradient	Cv	V/tr/min	1 coll.	0,006	0,020	0,030	0,040	0,050	0,060	0,080	0,100	0,120	0,150	0,200
		V/rpm	2 coll.		2 x	2 x		2 x	2 x		2 x			
		V/U/min			2,02	0,03		0,05	0,06		0,1			
Armature Resistance	Ra	impedance	1 coll.	1,50	12	28	45	70	100	180	280	400	640	900
			2 coll.		2 x 24	2 x 55		2 x 150	2 x 200		2 x 470			
Max. thermal Load	Ith	A	1 coll.	1,40	0,55	0,35	0,25	0,22	0,18	0,14	0,11	0,09	0,07	0,07
			2 coll.		2 x 0,23	2 x 0,14		2 x 0,09	2 x 0,09		2 x 0,05			
Max. allowed Speed	Na	tr/min	1 coll.	12000	12000	12000	12000	12000	10000	7500	6000	5000	4000	3000
		rpm	2 coll.		12000	12000		12000	10000		6000			
		U/min												

"The responsive people in drives, power & controls"

● AC/DC Drives ● AC/DC Motors ● Soft Starters ● Drives System Panels ● Electrical & Control Panels

**XCEL Drives** Co.Ltd. 110/38 Ratanathibet Rd., Sai-ma, Muang, Nonthaburi 11000

บริษัท เอ็กเซลไดรฟ์ จำกัด Tel. +66 0 29221915-8 Fax. +66 0 29221914 E-mail:salesxcd@cscoms.com

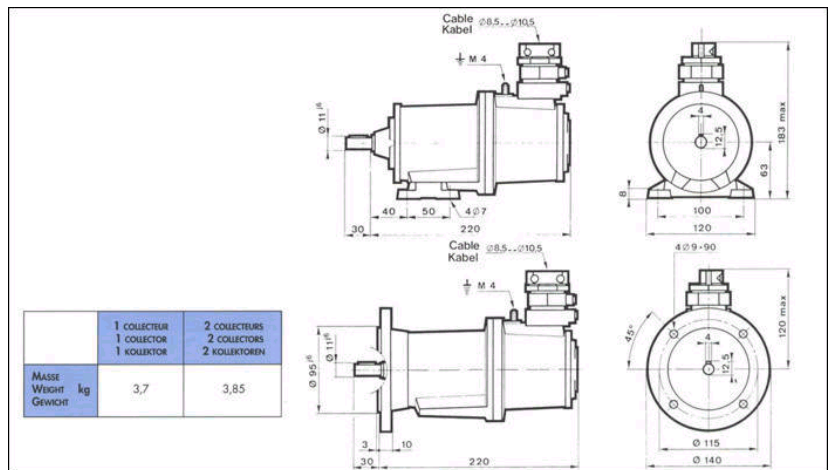
## :: Tachogenerators

A selection of our most popular Radio Energie tachogenerators:



Radio Energie RE.0444 R ADF Tachogenerator ::

- DC Tachogenerator derived from the RE.0444 model with flameproof enclosure.
- Fully compliant with EN 50014 and EN50018 or March 1977 and NFC 23514 and NFC 23518.
- Certificate No. 83-6017 (L.C.I.E.)



### Electrical Options

			Min.											Max.
E.M.F at 1000rpm	En	V	1 coll.	6	20	30	40	50	60	80	100	120	150	200
			2 coll.		2 x 20	2 x 30		2 x 50	2 x 60		2 x 100			
Voltage gradient	Cv	V/tr/min	1 coll.	0,006	0,020	0,030	0,040	0,050	0,060	0,080	0,100	0,120	0,150	0,200
		V/rpm	2 coll.		2 x	2 x		2 x	2 x		2 x			
		V/U/min			2,02	0,03		0,05	0,06		0,1			
Armature Resistance	Ra	impedance	1 coll.	1,50	12	28	45	70	100	180	280	400	640	900
			2 coll.		2 x 24	2 x 55		2 x 150	2 x 200		2 x 470			
Max. thermal Load	Ith	A	1 coll.	1,40	0,55	0,35	0,25	0,22	0,18	0,14	0,11	0,09	0,07	0,07
			2 coll.		2 x 0,23	2 x 0,14		2 x 0,09	2 x 0,09		2 x 0,05			
Max. allowed Speed	Na	tr/min	1 coll.	12000	12000	12000	12000	12000	10000	7500	6000	5000	4000	3000
		rpm	2 coll.		12000	12000		12000	10000		6000			
		U/min												

"The responsive people in drives, power & controls"

● AC/DC Drives ● AC/DC Motors ● Soft Starters ● Drives System Panels ● Electrical & Control Panels

**XCEL Drives** Co.Ltd. 110/38 Ratanathibet Rd., Sai-ma, Muang, Nonthaburi 11000

บริษัท เอ็กเซลไดรฟ์ จำกัด Tel. +66 0 29221915-8 Fax. +66 0 29221914 E-mail: salesxcd@cscoms.com

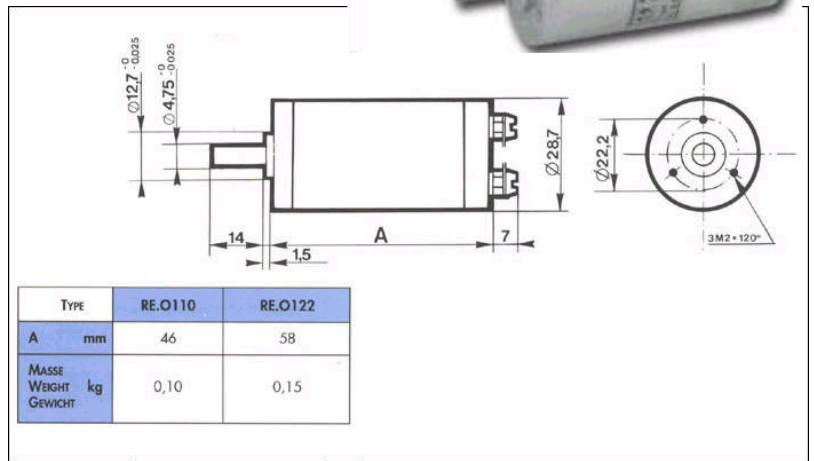
## :: Tachogenerators

A selection of our most popular Radio Energie tachogenerators:

Radio Energie RE.0110 and RE.0122 Tachogenerators ::



- Compact DC tachometer generator.
- Permanent magnets.
- Armature with frontal commutator.
- Connection on two terminals also used as brush-holders.
- Flange B 14.



### Electrical Options

			Min.								Max.		
E.M.F at 1000rpm	En	V	REO110	2	3	5	7						
			REO122					8	10	15	20		
Voltage gradient	Cv	V/tr/min	REO110	0,002	0,003	0,005	0,007						
		V/rpm	REO122					0,008	0,010	0,015	0,020		
		V/U/min											
Armature Resistance	Ra	impedance	REO110	50	80	215	460	185	290	670	900		
			REO122										
Max. thermal Load	Ith	A	REO110	0,05	0,05	0,03	0,02						
			REO122					0,04	0,03	0,02	0,02		
Max. allowed Speed	Na	tr/min	REO110	12000	12000	12000	12000						
		rpm	REO122					12000	10000	6500	5000		
		U/min											

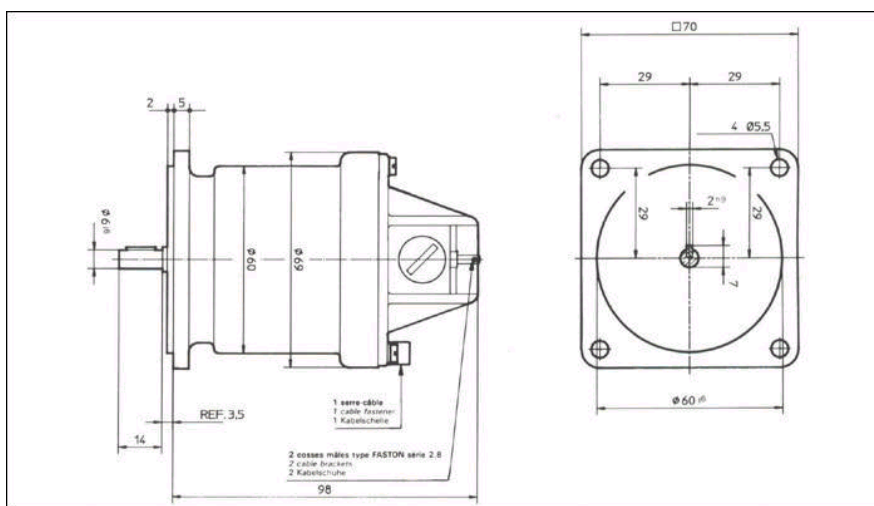
"The responsive people in drives, power & controls"

## :: Tachogenerators

A selection of our most popular Radio Energie tachogenerators:

### Radio Energie RE.0315 Tachogenerator ::

- Medium sized Tachogenerator.
- Permanent-magnet excitation.
- Brush-holders under cover.
- Cable connection.



### Electrical Options

				Min.					Max.
E.M.F at 1000rpm	En	V	1 coll.	7	10	20	30	40	50
Voltage gradient	Cv	V/tr/min	1 coll.	0,007	0,010	0,020	0,030	0,040	0,050
		V/rpm							
		V/U/min							
Armature Resistance	Ra	impedance	1 coll.	10	10	40	95	165	244
Max. thermal Load	Ith	A	1 coll.	0,4	0,3	0,15	0,1	0,07	0,05
Max. allowed Speed	Na	tr/min	1 coll.	15000	15000	15000	10000	7500	6000
		rpm							
		U/min							

"The responsive people in drives, power & controls"

● AC/DC Drives ● AC/DC Motors ● Soft Starters ● Drives System Panels ● Electrical & Control Panels

**XCEL Drives** Co.Ltd. 110/38 Ratanathibet Rd., Sai-ma, Muang, Nonthaburi 11000

บริษัท เอ็กเซลไดรฟ์ จำกัด Tel. +66 0 29221915-8 Fax. +66 0 29221914 E-mail: salesxcd@cscoms.com

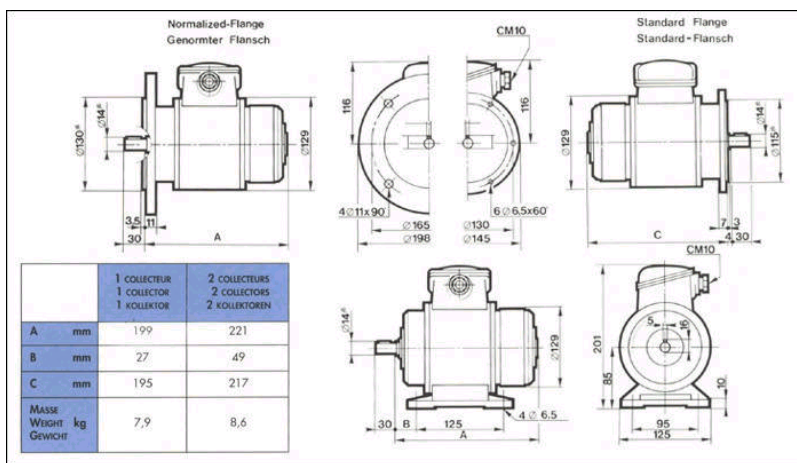
## :: Tachogenerators

A selection of our most popular Radio Energie tachogenerators:



Radio Energie RE.0588 Tachogenerator ::

- DC Tachogenerator with low ripple.
- Permanent-magnet excitation.
- Terminal box.
- Available with one or two commutators.
- Many options



### Electrical Options

			Min.											Max.
E.M.F at 1000rpm	En	V	1 coll.	30	60	100	110	120	150	200	300	600	700	1000
			2 coll.		2 x 60	2 x 100		2 x 120		2 x 200		2 x 600		
Voltage gradient	Cv	V/tr/min	1 coll.	0,03	0,06	0,10	0,11	0,12	0,15	0,20	0,30	0,60	0,70	1,00
		V/rpm	2 coll.		2 x	2 x		2 x		2 x		2 x		
		V/U/min			0,06	0,10		0,12		0,20		0,60		
Armature Resistance	Ra	impedance	1 coll.	4	12	35	40	50	75	130	300	1300	1900	2600
			2 coll.		2 x 25	2 x 80		2 x 100		2 x 300				
Max. thermal Load	Ith	A	1 coll.	1,80	0,90	0,55	0,45	0,45	0,35	0,30	0,18	0,09	0,07	0,06
			2 coll.		2 x 0,45	2 x 0,25		2 x 0,25		2 x 0,10		1 x 0,045		
Max. allowed Speed	Na	tr/min	1 coll.	8000	5000	3000	2700	2500	2000	1500	1000	500	425	300
		rpm	2 coll.		5000	3000		2500		1500		500		
		U/min												

"The responsive people in drives, power & controls"

- AC/DC Drives
- AC/DC Motors
- Soft Starters
- Drives System Panels
- Electrical & Control Panels

**XCEL Drives** Co.Ltd. 110/38 Ratanathibet Rd., Sai-ma, Muang, Nonthaburi 11000

บริษัท เอ็กเซลไดรฟ์ จำกัด Tel. +66 0 29221915-8 Fax. +66 0 29221914 E-mail: salesxcd@cscoms.com

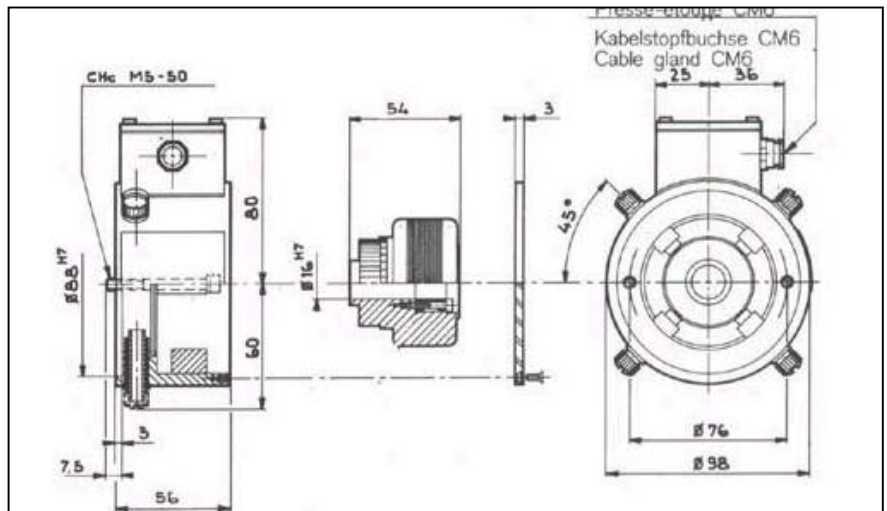


## :: Tachogenerators

A selection of our most popular Radio Energie tachogenerators:

### Radio Energie RDC 14 Tachogenerator ::

- Hollow shaft tachogenerator: rotor / stator set.
- Permanent-magnet excitation.
- Sturdy machine.
- Collector on mounting side.
- Mounted on smooth shaft.



### Electrical Options

			Min.					Max.
E.M.F at 1000rpm	En	V	10	20	30	40	50	60
Voltage gradient	Cv	V/tr/min	0,01	0,02	0,03	0,04	0,05	0,06
		V/rpm						
		V/U/min						
Armature Resistance	Ra	impedance	8	33	73	130	200	290
Max. thermal Load	Ith	A	400	200	150	100	80	60
Max. allowed Speed	Na	tr/min	7500	7500	7500	7500	6000	5000
		rpm						
		U/min						

"The responsive people in drives, power & controls"

● AC/DC Drives ● AC/DC Motors ● Soft Starters ● Drives System Panels ● Electrical & Control Panels

**XCEL Drives** Co.Ltd. 110/38 Ratanathibet Rd., Sai-ma, Muang, Nonthaburi 11000

บริษัท เอ็กเซลไดรฟ์ จำกัด Tel. +66 0 29221915-8 Fax. +66 0 29221914 E-mail: salesxcd@cscoms.com

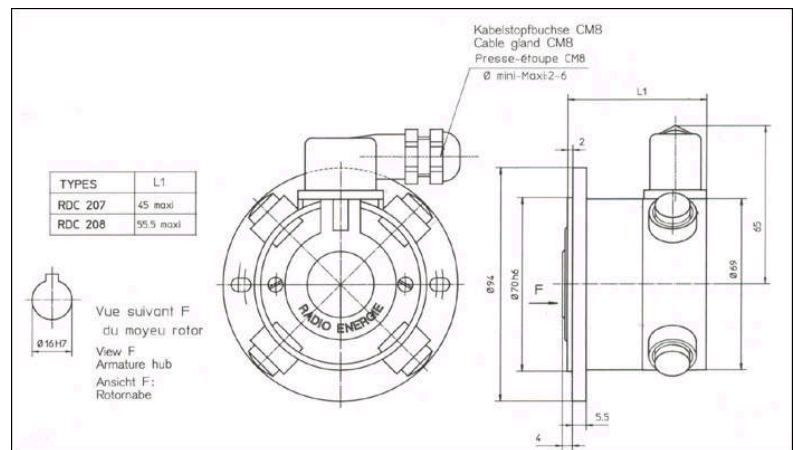
## :: Tachogenerators

A selection of our most popular Radio Energie tachogenerators:



Radio Energie RDC 207 and 208 Tachogenerators ::

- DC tachogenerator: rotor / stator set.
- Permanent magnet excitation.
- Mounted on smooth shaft or fixed by key.
- Collector on opposite of mouting side.
- SILVER COLLECTOR



### Electrical Options

				Min.						Max.
E.M.F at 1000rpm	En	V	RDC 207	10	20	30				
			RDC 208				30	40	50	60
Voltage gradient	Cv	V/tr/min	RDC 207	0,01	0,02	0,03				
		V/rpm	RDC 208				0,03	0,04	0,05	0,06
		V/U/min								
Armature Resistance	Ra	impedance	RDC 207	28	55	104				
			RDC 208				50	68	105	160
Max. thermal Load	Ith	A	RDC 207	100	77	61				
			RDC 208				180	150	120	100
Max. allowed Speed	Nn	tr/min	RDC 207	6000	6000	6000				
		rpm U/min	RDC 208				6000	6000	6000	5000

"The responsive people in drives, power & controls"

● AC/DC Drives ● AC/DC Motors ● Soft Starters ● Drives System Panels ● Electrical & Control Panels

**XCEL Drives** Co.Ltd. 110/38 Ratanathibet Rd., Sai-ma, Muang, Nonthaburi 11000

บริษัท เอ็กเซลไดรฟ์ จำกัด Tel. +66 0 29221915-8 Fax. +66 0 29221914 E-mail: salesxcd@cscoms.com

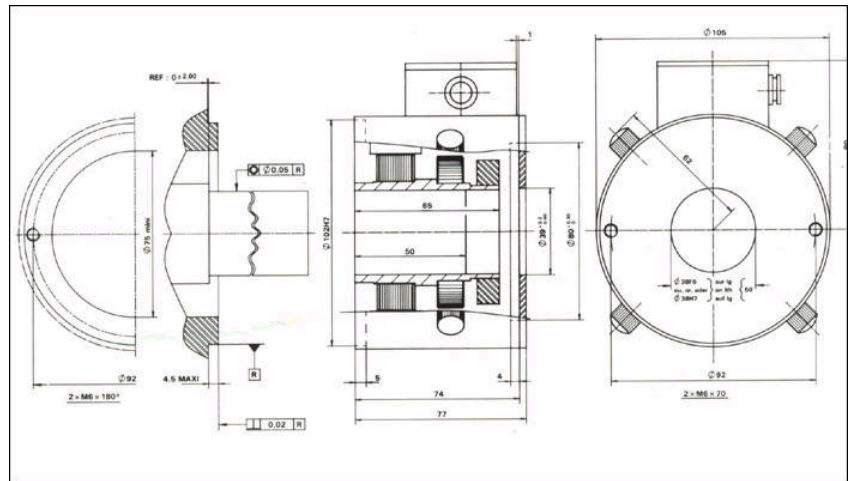
## :: Tachogenerators

A selection of our most popular Radio Energie tachogenerators:



Radio Energie RDC 40 Tachogenerator ::

- DC hollow shaft Tachogenerator (armature / stator)
- Excited by permanent magnets.
- Mounting on smooth shaft end.
- Commutator: b-side (opposite side of fixation).



### Electrical Options

			Min.		Max.
E.M.F at 1000rpm	En	V			60
Voltage gradient	Cv	V/tr/min			0,06
		V/rpm			
		V/U/min			
Armature Resistance	Ra	impedance			250
Max. thermal Load	Ith	A			0,06
Max. allowed Speed	Na	tr/min			5000
		rpm			
		U/min			

"The responsive people in drives, power & controls"

● AC/DC Drives ● AC/DC Motors ● Soft Starters ● Drives System Panels ● Electrical & Control Panels

**XCEL Drives** Co.Ltd. 110/38 Ratanathibet Rd., Sai-ma, Muang, Nonthaburi 11000

บริษัท เอ็กเซลไดรฟ์ จำกัด Tel. +66 0 29221915-8 Fax. +66 0 29221914 E-mail: salesxcd@cscoms.com