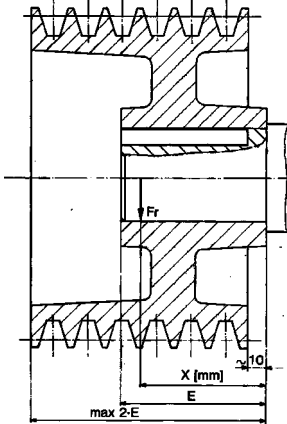


Pacco Lenght	Max potenza eccitazione Max excitation power	Momento di inerzia Moment of inertia	Dimensioni spazzole Brushes dimensions	Cuscinetto lato accoppiamento Drive end bearing		Cuscinetto lato collettore No-drive end bearing	Peso Weight
				Sfere Balls	Rulli Rollers		
	W	Kg · m ²	mm				Kg
S	320	0.024	16x20x32	6307 - 2Z	NU 307	6305 - 2Z	66
M	360	0.029					84
L	395	0.034					102
P	430	0.039					120

Dati ventilazione Ventilation		Elettroventilatore Electrofan		Rumorosità Noise
Portata Air flow	Prevalenza Pressure	Potenza Power	I a 380 V I at 380 V	
m ³ /h	mm H ₂ O	Kw	A	dB _A
450	60	0.18	0.87	73

Carico radiale (Newton) ammissibile per una durata teorica del cuscinetto lato accoppiamento di 20.000 ore
Admitted radial load (Newton) for a theoetic 20.000 hours of the drive end bearing

	rpm	200	400	600	1000	1200	1500	2000	2500	3000	3500	4000	5000	
		X	Fr (N)											
			0	4850	3800	3250	2760	2550	2370	2150	1980	1860	1710	1640
6307 - 2Z	20	4690	3680	3150	2670	2470	2300	2080	1920	1800	1650	1590	1480	
	40	4540	3570	3050	2590	2390	2230	2010	1860	1740	1600	1540	1430	
	60	4400	3460	2950	2510	2320	2160	1950	1800	1690	1550	1490	1390	
	80	4270	3350	2870	2430	2250	2090	1890	1750	1640	1500	1450	1350	
	X	Fr (N)												
NU 307	0	11160	9040	7970	6820	6460	6020	5520	5160	4840	4640	4450	4140	
	20	9740	8610	7590	6500	6150	5730	5260	4910	4610	4410	4230	3940	
	40	7140	7140	7140	6200	5870	5470	5020	4690	4400	4210	4040	3760	
	60	5640	5640	5640	5640	5620	5230	4800	4490	4210	4030	3870	3600	
	80	4650	4650	4650	4650	4650	4650	4600	4300	4030	3860	3700	3450	

MM 102 S

	VELOCITÀ [rpm] ALLE TENSIONI						P [kw]	I [A]	η [%]	ARMATURA	
	160V	220V	260V	330V	400V	440V				L [mH]	R ₁₁₅ [Ω]
C	2870						8.9	65.2	85.3	2.2	0.24
D	2340						7.4	55.1	83.9	3.2	0.34
		3370					10.3	53.7	87.3		
E	1960						6.1	46.9	81.3	4.3	0.46
		2840					8.7	46.2	85.6		
			3420				10.3	45.4	87.3		
F	1660						5.2	41.3	78.6	5.6	0.62
		2430					7.6	41.0	84.2		
			2940				9.0	40.5	85.5		
G	1440						4.6	37.0	77.6	7.1	0.77
		2120					6.7	36.8	82.6		
			2580				8.1	36.6	85.1		
				3370			10.3	35.8	87.3		
H	1260						4.0	33.3	75.1	8.8	0.96
		1870					5.9	33.2	80.9		
			2280				7.2	33.0	83.8		
				3000			9.2	32.5	85.8		
I	1110						3.5	30.0	73.0	10	1.2
		1670					5.2	29.9	79.1		
			2040				6.4	29.8	82.6		
				2690			8.3	29.5	85.3		
J	990						3.1	27.2	71.2	13	1.4
		1500					4.6	27.2	76.9		
			1840				5.7	27.1	80.8		
				2430			7.5	27.0	84.3		
K	880						2.8	25.5	68.7	15	1.7
		1350					4.3	25.5	76.7		
			1660				5.2	25.4	78.6		
				2210			6.9	25.3	82.6		
				2770			8.5	25.0	84.9		
					3080		9.4	24.8	86.1		

	VELOCITÀ [rpm] ALLE TENSIONI						P [kw]	I [A]	η [%]	ARMATURA	
	160V	220V	260V	330V	400V	440V				L [mH]	R ₁₁₅ [Ω]
M	720						2.2	21.8	63.1	20	2.2
		1130					3.5	21.8	73.0		
			1400				4.3	21.8	76.0		
				1880			5.8	21.7	80.9		
					2350		7.2	21.6	83.3		
O						2630	8.0	21.5	84.6	29	3.1
		890					2.8	18.5	68.7		
			1120				3.5	18.5	72.6		
				1520			4.8	18.5	78.6		
					1910		6.0	18.5	81.2		
Q						2140	6.7	18.4	82.7	39	4.5
		700					2.2	15.4	65.0		
			890				2.8	15.4	70.0		
				1240			3.8	15.4	74.9		
					1580		4.8	15.4	78.1		
R						1770	5.4	15.3	80.0	51	5.8
			740				2.3	13.4	65.9		
				1040			3.2	13.4	72.3		
					1340		4.1	13.4	76.4		
						1510	4.6	13.4	78.0		
S										64	7.3
			620				1.9	12.2	60.1		
				880			2.8	12.2	69.8		
					1150		3.6	12.2	74.0		
T						1300	4.1	12.2	76.6	79	9.1
				750			2.3	10.9	64.0		
					990		3.1	10.9	71.1		
					1130	3.5	10.9	73.0			

I dati riportati fanno riferimento a motori:

- con ventilazione assistita addossata PVA
- in servizio continuo CEI S1
- con alimentazione con fattore di forma = 1
- con temperatura massima ambiente 40 °C
- con altitudine s.l.m. max 1000 m.

The data shown refer to motors:

- with assisted leaning ventilation PVA
- in continuous service CEI S1
- with form factor = 1
- with maximum room temperature 40 °C
- with maximum height above sea level 1000 m.

MM 102 L

	VELOCITÀ [rpm] ALLE TENSIONI						P [kw]	I [A]	η [%]	ARMATURA	
	160V	220V	260V	330V	400V	440V				L [mH]	R ₁₁₅ [Ω]
B	2340						11.0	80.3	85.6	1.9	0.19
		3330					15.7	80.3	88.8		
C	1800						8.5	64.0	83.0	3.0	0.31
		2600					12.2	64.0	86.6		
			3130				14.7	64.0	88.3		
D	1460						6.9	53.5	80.6	4.4	0.43
		2120					10.0	53.5	85.0		
			2560				12.1	53.5	87.0		
				3340			15.7	53.5	89.0		
E	1220						5.7	45.3	78.6	5.9	0.59
		1790					8.3	45.3	83.2		
			2160				10.1	45.3	85.7		
				2820			13.1	45.3	87.6		
F	1020						4.8	39.8	75.3	7.7	0.80
		1520					7.1	39.8	81.0		
			1850				8.7	39.8	84.0		
				2430			11.4	39.8	86.7		
G	880						4.1	35.7	71.9	9.8	1.0
		1320					6.2	35.7	79.0		
			1610				7.6	35.7	82.0		
				2130			10.0	35.7	85.0		
H	760						3.6	32.0	70.3	12	1.2
		1160					5.4	32.0	76.7		
			1420				6.7	32.0	80.5		
				1880			8.9	32.0	84.2		
I	660						3.1	28.8	67.2	15	1.5
		1020					4.8	28.8	75.7		
			1270				5.9	28.8	78.8		
				1690			7.9	28.8	83.1		
J							9.8	28.8	85.0	17	1.8
					2110		9.8	28.8	85.0		
		910					4.2	26.2	72.9		
			1130				5.2	26.2	76.4		
							7.0	26.2	81.0		
				1520			7.0	26.2	81.0		
					1910		8.8	26.2	84.0		
						2130	9.8	26.2	85.0		

	VELOCITÀ [rpm] ALLE TENSIONI						P [kw]	I [A]	η [%]	ARMATURA	
	160V	220V	260V	330V	400V	440V				L [mH]	R ₁₁₅ [Ω]
K							3.8	24.5	70.5	20	2.2
		820					4.8	24.5	75.3		
			1020				6.5	24.5	80.4		
				1380			8.1	24.5	82.6		
M							9.1	24.5	84.4		
					1730						
						1940					
N							3.1	21.0	67.2	27	2.9
		670					3.9	21.0	71.6		
			850				5.4	21.0	78.1		
				1160			6.8	21.0	81.1		
O							7.6	21.0	82.4		
					1470						
						1640					
P							3.2	17.8	69.0	39	3.9
			670				4.4	17.8	74.8		
				930			5.6	17.8	78.5		
					1180		6.3	17.8	80.3		
Q										53	5.8
				740			3.4	14.8	69.6		
					960		4.4	14.8	74.3		
R							5.0	14.8	76.8	70	7.5
				620			2.8	12.9	65.7		
					810		3.7	12.9	71.6		
S							4.2	12.9	73.9	88	9.4
					690		3.2	11.7	68.4		
						780	3.6	11.7	70.0		

I dati riportati fanno riferimento a motori:

- con ventilazione assistita addossata PVA
- in servizio continuo CEI S1
- con alimentazione con fattore di forma = 1
- con temperatura massima ambiente 40 °C
- con altitudine s.l.m. max 1000 m.

The data shown refer to motors:

- with assisted leaning ventilation PVA
- in continuous service CEI S1
- with form factor = 1
- with maximum room temperature 40 °C
- with maximum height above sea level 1000 m.

MM 102 P

	VELOCITÀ [rpm] ALLE TENSIONI						P [kw]	I [A]	η [%]	ARMATURA	
	160V	220V	260V	330V	400V	440V				L [mH]	R _{115°} [Ω]
B	1970						10.8	79.2	85.2	2.2	0.21
		2810					15.4	79.2	88.4		
			3370				18.4	79.2	89.4		
C	1510						8.2	63.1	81.2	3.5	0.35
		2180					11.9	63.1	85.7		
			2630				14.3	63.1	87.2		
				3420			18.6	63.1	89.3		
D	1220						6.7	52.7	79.4	5.0	0.49
		1780					9.7	52.7	83.7		
			2160				11.8	52.7	86.1		
				2810			15.4	52.7	88.5		
					3470		18.9	52.7	89.6		
E	1010						5.5	44.7	77.0	6.8	0.66
		1490					8.1	44.7	82.4		
			1820				9.8	44.7	84.4		
				2380			12.8	44.7	86.8		
					2940		15.9	44.7	89.0		
F	840						4.6	39.3	73.2	8.8	0.89
		1270					6.9	39.3	79.9		
			1550				8.4	39.3	82.3		
				2040			11.1	39.3	85.7		
					2530		13.7	39.3	87.2		
G	720						4.0	35.1	71.1	11	1.1
		1100					6.0	35.1	77.6		
			1350				7.4	35.1	81.0		
				1780			9.8	35.1	84.5		
					2220		12.1	35.1	86.1		
H	620						3.4	31.5	67.4	13.8	1.4
		960					5.2	31.5	74.9		
			1180				6.5	31.5	79.2		
				1580			8.6	31.5	82.6		
					1970		10.8	31.5	85.6		
I		850					4.6	28.4	73.6	17	1.7
			1050				5.7	28.4	77.2		
				1410			7.6	28.4	81.1		
					1770		9.5	28.4	83.6		
						1970	10.6	28.4	84.8		
J		750					4.0	25.8	70.4	20	2.1
			940				5.0	25.8	74.5		
				1270			6.8	25.8	79.8		
					1600		8.5	25.8	82.3		
						1780	9.5	25.8	83.6		

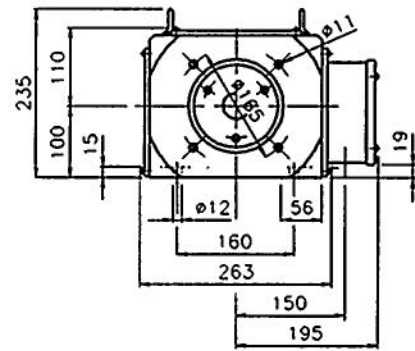
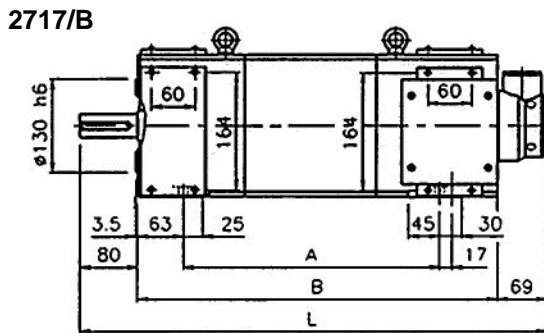
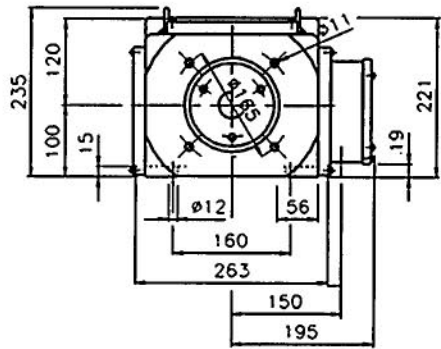
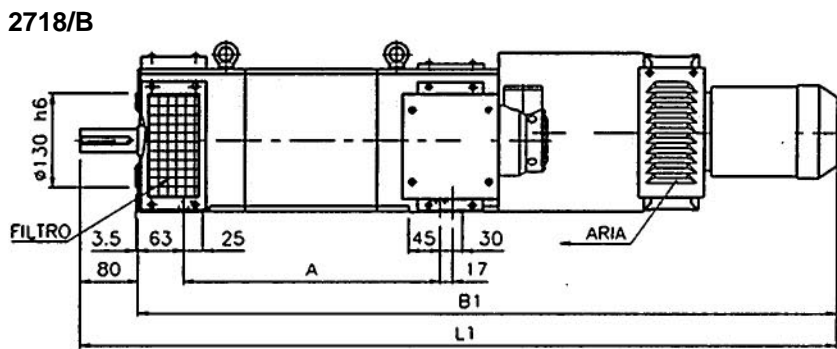
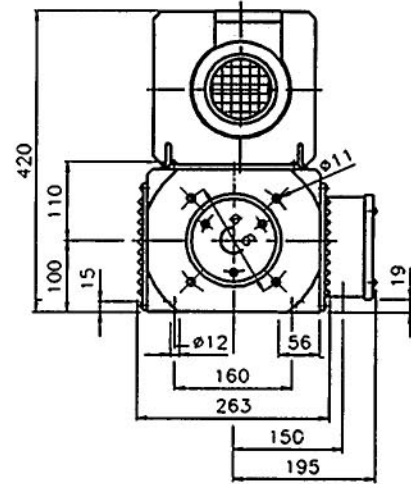
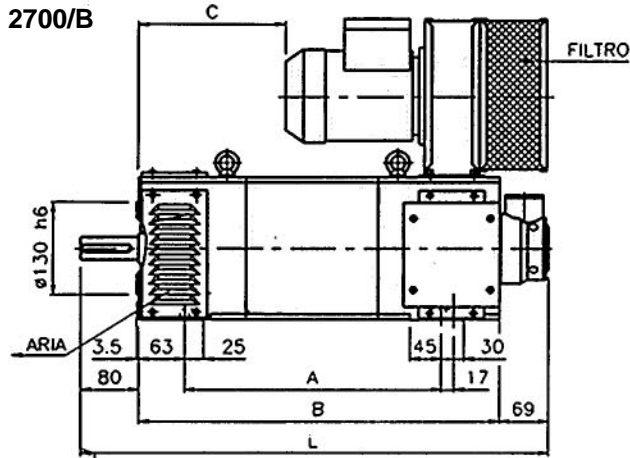
	VELOCITÀ [rpm] ALLE TENSIONI						P [kw]	I [A]	η [%]	ARMATURA	
	160V	220V	260V	330V	400V	440V				L [mH]	R _{115°} [Ω]
K										23	2.4
		670					3.6	24.2	67.7		
			840				4.6	24.2	73.2		
				1140			6.2	24.2	77.8		
					1450		7.9	24.2	81.8		
M										31	3.2
			700				3.7	20.7	68.9		
				960			5.2	20.7	76.3		
					1220		6.6	20.7	79.9		
						1370	7.4	20.7	81.4		
O										45	4.4
				760			4.2	17.6	72.4		
					980		5.4	17.6	76.8		
						1110	6.1	17.6	78.9		
Q										61	6.4
				610			3.2	14.6	66.5		
					790		4.2	14.6	72.0		
						900	4.8	14.6	74.8		
R										79	8.4
					660		3.5	12.7	68.8		
						760	4.0	12.7	71.5		

I dati riportati fanno riferimento a motori:

- con ventilazione assistita addossata PVA
- in servizio continuo CEI S1
- con alimentazione con fattore di forma = 1
- con temperatura massima ambiente 40 °C
- con altitudine s.l.m. max 1000 m.

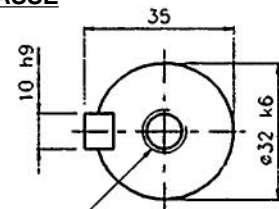
The data shown refer to motors:

- with assisted leaning ventilation PVA
- in continuous service CEI S1
- with form factor = 1
- with maximum room temperature 40 °C
- with maximum height above sea level 1000 m.



Tipo Type	Ingombri massimi / Max overall					
	A	B	B1	C	L	L1
S	265	405	855	120	550	935
M	295	435	885	150	580	965
L	325	465	915	180	610	995
P	355	495	945	210	640	1025

ESTREMITA' ASSE



CENTRO M10 UNI 9321

La MAGNETIC si riserva la facoltà di cambiare senza preavviso i dati contenuti nel presente catalogo. / MAGNETIC reserves the right to change any data contained in this catalogue, without previous notice.



MAGNETIC SpA
 Sede Amm.va e Stabilimento:
 Via Fracanzana, 14
 36054 Montebello Vicentino (VI) Italy
 Tel. (0444) 649399
 Fax (0444) 440495
 E-mail: info@magneticspa.it
 Web site: www.magneticspa.it